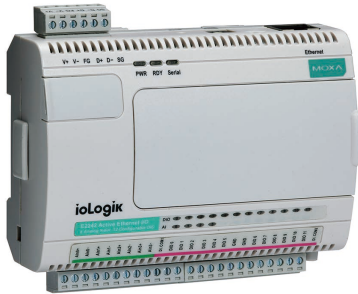


ioLogik E2200 Series

Smart Ethernet remote I/O with Click&GO Logic



- > Front-end intelligence with patented Click&Go control logic, up to 24 rules
- > Active communication with MX-AOPC UA Server
- > Save time and wiring cost with peer-to-peer communication
- > Supports SNMPv1/v2c/v3
- > Friendly configuration via web browser
- > Simplify I/O management with MXIO library for Windows or Linux platforms
- > Wide operating temperature range of -40 to 75°C (-40 to 167°F)



Introduction

Moxa's ioLogik E2200 Ethernet Remote I/O features the Click&Go programming interface. The ioLogik E2200 is a PC-based data acquisition and control device that uses proactive, event-based reporting to control I/O devices. Unlike traditional PLCs, which are passive and must poll for data, Moxa's ioLogik E2200 series will, when paired with our MX-AOPC UA Server, communicate with SCADA systems using active messaging that is pushed to the server only

when state changes or configured events occur. Additionally, the ioLogik E2200 features SNMP for communications and control using an NMS (Network Management System), allowing IT professionals to configure the device to push I/O status reports according to configured specifications. This report-by-exception approach, which is new to PC-based monitoring, requires far less bandwidth than traditional polling methods.

PC-Free Alarm and Control Intelligence

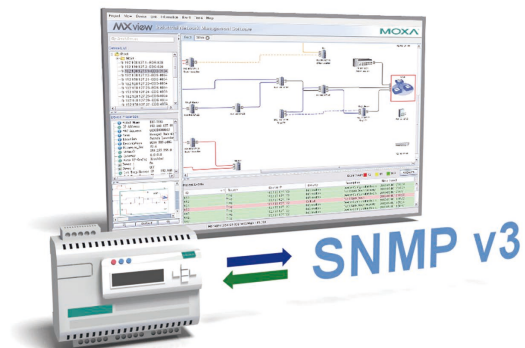
The ioLogik E2200 supports simple and powerful Click&Go™ technology to configure event-driven reports and alarms delivered over email, TCP/UDP, or SNMP traps, giving you a powerful effective, tool for delivering time-stamped status updates in real time.

With built-in Click&Go™ intelligence, the ioLogik E2200 can be configured for simple outputs paired up with simple input triggers without the need for a PC controller. This allows the ioLogik E2200 to be configured to automatically report I/O events according to user-specified conditions.



SNMP Protocol for Ethernet Device Management

In addition to Modbus/TCP, the ioLogik E2200 supports both SNMP and CGI scripting, giving IT engineers familiar tools for controlling and monitoring I/O systems. By using SNMP, IT engineers can configure the ioLogik E2200 to deliver alarms (traps) for specific I/O events, or use it to read or write directly to the I/O registers. For the strongest security, the ioLogik E2200 features SNMP v3, with authentication and encryption. With Moxa's SNMP-capable ioLogik E2200, even IT professionals can easily integrate industrial sensors and servos over an Ethernet backbone, and with its strong network management tools the ioLogik E2200 is ideal for a wide variety of industrial applications, whether in environmental monitoring, telecommunications, power production and delivery, or transportation.



Push Technology for Events and Alarms

The ioLogik E2200 series is designed for use with the Moxa's MX-AOPC UA server. When used with MX-AOPC UA Server, the E2200 is upgraded to use active push communications when communicating state changes and/or events to the SCADA system. Unlike a polling system, when using a push architecture for communications with the SCADA messages will only be delivered when state changes or configured events occur. Active messaging thus allows for big increases in data acquisition and control throughput while also delivering big reductions in network overhead.



ioLogik E2210 Specifications

Inputs and Outputs

Digital Inputs: 12 channels

Digital Outputs: 8 channels

Isolation: 3k VDC or 2k Vrms

Digital Input

Sensor Type: Wet Contact (NPN), Dry Contact

I/O Mode: DI or Event Counter

Dry Contact:

- On: short to GND
- Off: open

Wet Contact (DI to GND):

- On: 0 to 3 VDC
- Off: 10 to 30 VDC

Common Type: 12 points per COM

Counter Frequency: 900 Hz

Digital Filtering Time Interval: Software Configurable

Digital Output

Type: Sink

I/O Mode: DO or Pulse Output

Pulse Output Frequency: 1 kHz

Over-Voltage Protection: 45 VDC

Over-Current Protection: 2.6 A (4 channels @ 650 mA)

Over-Temperature Shutdown: 175°C (min.)

Current Rating: 200 mA per channel

Power Requirements

Input Voltage: 12 to 36 VDC

Input Current: 190 mA @ 24 VDC

MTBF (mean time between failures)

Time: 213,673 hrs

Standard: Telcordia SR332

ioLogik E2212 Specifications

Inputs and Outputs

Digital Inputs: 8 channels

Digital Outputs: 8 channels

Configurable DIOs: 4 channels

Isolation: 3k VDC or 2k Vrms

Digital Input

Sensor Type: Wet Contact (NPN or PNP) and Dry Contact

I/O Mode: DI or Event Counter

Dry Contact:

- On: short to GND
- Off: open

Wet Contact (DI to GND):

- On: 0 to 3 VDC
- OFF: 10 to 30 VDC

Common Type: 6 points per COM

Counter Frequency: 900 Hz

Digital Filtering Time Interval: Software Configurable

Digital Output

Type: Sink

I/O Mode: DO or Pulse Output

Pulse Output Frequency: 1 kHz

Over-Voltage Protection: 45 VDC

Over-Current Protection: 2.6 A (4 channels @ 650 mA)

Over-Temperature Shutdown: 175°C (min.)

DIO Output Leakage Current: 4.0 mA @ 24 VDC

Current Rating: 200 mA per channel

Power Requirements

Input Voltage: 12 to 36 VDC

Input Current: 136 mA @ 24 VDC

MTBF (mean time between failures)

Time: 217,722 hrs

Standard: Telcordia SR332

ioLogik E2214 Specifications

Inputs and Outputs

Digital Inputs: 6 channels

Relay Outputs: 6 channels

Isolation: 3k VDC or 2k Vrms

Digital Input

Sensor Type: Wet Contact (NPN or PNP) and Dry Contact

I/O Mode: DI or Event Counter

Dry Contact:

- On: short to GND
- Off: open

Wet Contact (DI to GND):

- On: 0 to 3 VDC
- Off: 10 to 30 VDC

Common Type: 3 points per COM

Counter Frequency: 900 Hz

Digital Filtering Time Interval: Software Configurable

Relay Output

Type: Form A (N.O.) power relay

Contact Current Rating:

- Inductive Load: 2 A @ 30 VDC, 250 VAC, 110 VAC
- Resistive Load: 5 A @ 30 VDC, 250 VAC, 110 VAC

Minimum permitted load: 1 A @ 5 VDC

Initial Insulation Resistance: 1000 mega-ohms (min.) @ 500 VDC

Mechanical Endurance: 1,000,000 operations

Electrical Endurance: 100,000 operations @ 5 A resistive load

Contact Resistance: 100 milli-ohms (max.)

Pulse Output: 0.3 Hz at rated load

Note: Ambient humidity must be non-condensing and remain between 5 and 95%. The relays of the ioLogik E2214 may malfunction when operating in high condensation environments below 0° Celsius.

Power Requirements

Input Voltage: 12 to 36 VDC

Input Current: 170 mA @ 24 VDC

MTBF (mean time between failures)

Time: 307,239 hrs

Standard: Telcordia SR332

ioLogik E2240 Specifications

Inputs and Outputs

Analog Inputs: 8 channels

Analog Outputs: 2 channels

Analog Input

Isolation: 3k VDC or 2k Vrms

Type: Differential input

Resolution: 16 bits

I/O Mode: Voltage/Current (software selectable)

Input Range: ±150 mV, ±500 mV, ±5 V, ±10 V, 0 to 20 mA, 4 to 20 mA

Accuracy:

- ±0.1% FSR @ 25°C
- ±0.3% FSR @ -10 and 60°C
- ±0.5% FSR @ -40 and 75°C

Sampling Rate:

All channels:

- 10 samples/sec for voltage
- 6 samples/sec for current

Per channel:

- 1.25 samples/sec for voltage
- 0.75 samples/sec for current

Single channel:

- 1.25 samples/sec for voltage
- 0.75 samples/sec for current

Input Impedance: 900 kilo-ohms ohms (min.)

Built-in Resistor for Current Input: 120 ohms

Analog Output

Resolution: 12 bits

Output Range: 0 to 10 V, 4 to 20 mA

Drive Voltage: 15 VDC for current output

Accuracy:

- ±0.1% FSR @ 25°C
- ±0.3% FSR @ -10 and 60°C
- ±0.5% FSR @ -40 and 75°C

Load Resistor: Less than 250 ohms

Power Requirements

Input Voltage: 12 to 36 VDC

Input Current: 190 mA @ 24 VDC

MTBF (mean time between failures)

Time: 155,941 hrs

Standard: Telcordia SR332

ioLogik E2242 Specifications

Inputs and Outputs

Configurable DIOs (by software): 12 channels

Analog Inputs: 4 channels

Isolation: 3k VDC or 2k Vrms

Digital Input

Sensor Type: Wet Contact (NPN or PNP) and Dry Contact

I/O Mode: DI or Event Counter

Dry Contact:

- On: short to GND
- Off: Open

Wet Contact (DI to GND):

- On: 0 to 3 VDC
- Off: 10 to 30 VDC

Common Type: 6 points per COM

Isolation: 3k VDC or 2k Vrms

Counter Frequency: 900 Hz

Digital Filtering Time Interval: Software selectable

Digital Output

Type: Sink

I/O Mode: DO or Pulse Output

Pulse Output Frequency: 1 kHz

Over-Voltage Protection: 45 VDC

Over-Current Protection: 2.6 A (4 channels @ 650 mA)

Over-Temperature Shutdown: 175°C (min.)

DIO Output Leakage Current: 4.0 mA @ 24 VDC

Current Rating: 200 mA per channel

Analog Input

Type: Differential input

Resolution: 16 bits

I/O Mode: Voltage / Current (software selectable)

Input Range: ±150 mV, 0 to 150 mV, ±500 mV, 0 to 500 mV, ±5 V, 0 to 5 V, ±10 V, 0 to 10 V, 0 to 20 mA, 4 to 20 mA

Accuracy:

±0.1% FSR @ 25°C
 ±0.3% FSR @ -10 and 60°C
 ±0.5% FSR @ -40 and 75°C

Sampling Rate:

All channels: 32 samples/sec
 Per channel: 8 samples/sec
 Single channel: 100 samples/sec

Input Impedance: 200 kilo-ohms ohms (min.)

Built-in Resistor for Current Input: 120 ohms

Power Requirements

Input Voltage: 12 to 36 VDC

Input Current: 178 mA @ 24 VDC

MTBF (mean time between failures)

Time: 204,391 hrs

Standard: Telcordia SR332

ioLogik E2260 Specifications

Inputs and Outputs

Digital Outputs: 4 channels

RTDs: 6 channels

Isolation: 3k VDC or 2k Vrms

Digital Output

Type: Sink

I/O Mode: DO or Pulse Output

Pulse Output Frequency: 100 Hz

Over-Voltage Protection: 45 VDC

Over-Current Protection: 2.6 A (4 channels @ 650 mA)

Over-Temperature Shutdown: 175°C

Current Rating: 200 mA per channel

RTD

Sensor Type: PT50, PT100, PT200, PT500, PT1000; JPT100, JPT200, JPT500, JPT1000; NI100, NI120, NI200, NI500, NI1000; Resistance of 310, 620, 1250, and 2200 ohms

Input Connection: 2- or 3-wire

Sampling Rate:

All channels: 12 samples/sec

Per channel: 2 samples/sec

Resolution: 0.1°C or 0.1 ohm

Accuracy:

±0.1% FSR @ 25°C

±0.3% FSR @ -10 and 60°C

±0.5% FSR @ -40 and 75°C

Input Impedance: 625 kilo-ohms ohms

Power Requirements

Input Voltage: 12 to 36 VDC

Input Current: 95 mA @ 24 VDC

MTBF (mean time between failures)

Time: 327,282 hrs

Standard: Telcordia SR332

ioLogik E2262 Specifications

Inputs and Outputs

Digital Outputs: 4 channels

Thermocouples: 8 channels

Digital Output

Isolation: 3k VDC or 2k Vrms

Type: Sink

I/O Mode: DO or Pulse Output

Pulse Output Frequency: 100 Hz

Over-Voltage Protection: 45 VDC

Over-Current Protection: 2.6 A (4 channels @ 650 mA)

Over-Temperature Shutdown: 175°C

Current Rating: 200 mA per channel

Thermocouple

Sensor Type: J (0 to 750°C), K (-200 to 1250°C), T (-200 to 350°C), E (-200 to 900°C), R (-50 to 1600°C), S (-50 to 1760°C), B (600 to 1700°C), N (-200 to 1300°C)

Millivolt Type:

- Mode: ±78.126 mV, ±39.062 mV, ±19.532 mV
- Fault and over-voltage protection: -35 to +35 VDC (power off); -25 to +30 VDC (power on)

Sampling Rate:

All channels: 12 samples/sec

Per channel: 1.5 samples/sec

Resolution: 16 bits

Millivolt Accuracy:

±0.1% FSR @ 25°C

±0.3% FSR @ -10 and 60°C

±0.5% FSR @ -40 and 75°C

TC Accuracy:

Types J, T, E, S, B: ±5°C

Types K, R, N: ±8°C

CJC Sensor Accuracy:

±0.5°C @ 25°C

±1.5°C @ -40 and 75°C

Input Impedance: 1 mega-ohm ohms

Power Requirements

Input Voltage: 12 to 36 VDC

Input Current: 160 mA @ 24 VDC

MTBF (mean time between failures)

Time: 341,063 hrs

Standard: Telcordia SR332

Common Specifications

LAN

Ethernet: 1 10/100 Mbps RJ45 port

Protection: 1.5 kV magnetic isolation

Protocols: Modbus/TCP (slave), TCP/IP, UDP, DHCP, BOOTP, SNMP, HTTP, CGI, SNTP, SMTP

Serial

Interface: 1 RS-485-2w terminal block port

Parity: None

Data Bits: 8

Stop Bits: 1

Flow Control: None

Baudrate: 1200 to 115200 bps

Protocols: Modbus RTU (gateway)

Physical Characteristics

Wiring: I/O cable max. 14 AWG
Dimensions: 115 x 79 x 45.6 mm (4.53 x 3.11 x 1.80 in)
Weight: under 250 g (0.55 lb)
Mounting: DIN-rail or wall

Environmental Limits

Operating Temperature:
 Standard Models: -10 to 60°C (14 to 140°F)
 Wide Temp. Models: -40 to 75°C (-40 to 167°F)
Storage Temperature: -40 to 85°C (-40 to 185°F)
Ambient Relative Humidity: 5 to 95% (non-condensing)
Shock: IEC 60068-2-27
Vibration: IEC 60068-2-6
Altitude: Up to 2000 m
 Note: Please contact Moxa if you require products guaranteed to function properly at higher altitudes.

Standards and Certifications

Safety: UL 508

EMC: EN 61000-6-2/6-4

EMI: CISPR 22, FCC Part 15B Class A

EMS:

IEC 61000-4-2 ESD: Contact: 4 kV; Air: 8 kV
 IEC 61000-4-3 RS:
 80 MHz to 1 GHz: 10 V/m
 1.4 GHz to 2 GHz: 3 V/m
 2 GHz to 2.7 GHz: 1 V/m
 IEC 61000-4-4 EFT: Power: 2 kV; Signal: 1 kV
 IEC 61000-4-5 Surge: Power: 1 kV
 IEC 61000-4-6 CS: 10 V
 IEC 61000-4-8

Green Product: RoHS, CRoHS, WEEE

Note: Please check Moxa's website for the most up-to-date certification status.

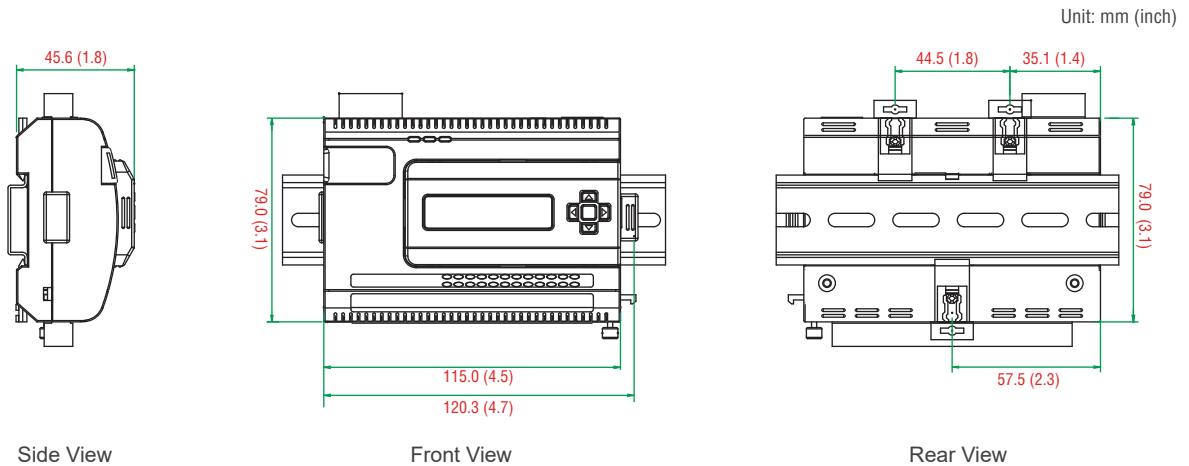
Warranty

Warranty Period: 5 years (excluding ioLogik E2214*)

Details: See www.moxa.com/warranty

*Because of the limited lifetime of power relays, products that use that component are covered by a 2-year warranty.

Dimensions



Ordering Information

Available Models

- ioLogik E2210:** Smart Ethernet Remote I/O with 12 DIs, 8 DOs, -10 to 60°C operating temperature
- ioLogik E2210-T:** Smart Ethernet Remote I/O with 12 DIs, 8 DOs, -40 to 75°C operating temperature
- ioLogik E2212:** Smart Ethernet Remote I/O with 8 DIs, 8 DOs, 4 DIos, -10 to 60°C operating temperature
- ioLogik E2212-T:** Smart Ethernet Remote I/O with 8 DIs, 8 DOs, 4 DIos, -40 to 75°C operating temperature
- ioLogik E2214:** Smart Ethernet Remote I/O with 6 DIs, 6 relays, -10 to 60°C operating temperature
- ioLogik E2214-T:** Smart Ethernet Remote I/O with 6 DIs, 6 relays, -40 to 75°C operating temperature
- ioLogik E2240:** Smart Ethernet Remote I/O with 8 AIs, 2 AOs, -10 to 60°C operating temperature
- ioLogik E2240-T:** Smart Ethernet Remote I/O with 8 AIs, 2 AOs, -40 to 75°C operating temperature
- ioLogik E2242:** Smart Ethernet Remote I/O with 12 DIos, 4 AIs, -10 to 60°C operating temperature
- ioLogik E2242-T:** Smart Ethernet Remote I/O with 12 DIos, 4 AIs, -40 to 75°C operating temperature
- ioLogik E2260:** Smart Ethernet Remote I/O with 4 DOs, 6 RTDs, -10 to 60°C operating temperature
- ioLogik E2260-T:** Smart Ethernet Remote I/O with 4 DOs, 6 RTDs, -40 to 75°C operating temperature
- ioLogik E2262:** Smart Ethernet Remote I/O with 4 DOs, 8 TCs, and -10 to 60°C operating temperature
- ioLogik E2262-T:** Smart Ethernet Remote I/O with 4 DOs, 8 TCs, and -40 to 75°C operating temperature

Optional Accessories (can be purchased separately)

LDP1602: LCD module with 16 x 2 text and 5 buttons, 0 to 55°C operating temperature

Package Checklist

- ioLogik E2200